

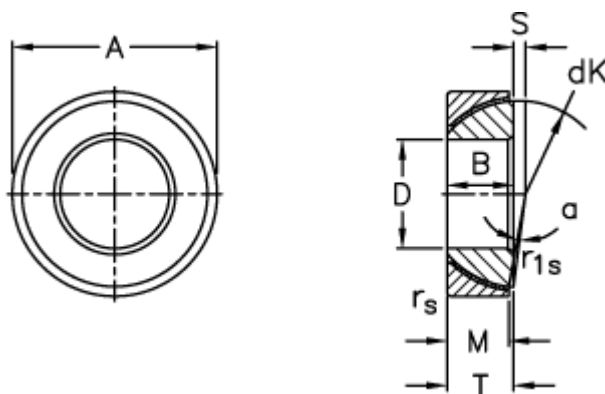
Data Sheet



Article number: 03510180

Description: Fluro Rod end GE 180SW

Measures



A = 280 0 -0,035

B = 64

D = 180 0 -0,025

dK = 260

Dynamic load C (kN) = 2640

M = 61

rs, r1s min = 3

S = 21

Static load C0 (kN) = 5280

T = 64 +0,35 -0,70

Tilt angle = 1

Weight = 17400